

DEVELON

Mini Excavators

DX63-3



MAXIMUM CONTROLLABILITY IN EVERY SITUATION

Proportional auxiliary flow means that the excavator's power is matched by smooth, confident manoeuvres. Using sensitive joysticks and clear controls positioned for convenient access, you are able to work safely and confidently with minimum effort. The highest standards of efficiency are just a finger's reach away.



Proportional joystick with auxiliary thumb control



Dozer float function and travel mode switch



Right controls



MORE DURABILITY LESS MAINTENANCE

A reinforced chassis provides strength, while the optimized boom shape ensures uniform load distribution for more durability. Top-quality materials, the most advanced computer-aided design and endurance testing under the most demanding conditions ensure your excavator will keep on performing. The DX63-3 is designed for low maintenance with longer intervals resulting in more machine availability on site while skilled DEVELON-trained technicians are available to provide extra support when needed.



TILTING CAB

To simplify access to maintenance components.



CENTRALISED GREASING POINTS

To make maintenance easier, the greasing points have been centralised.



BATTERY CUT-OFF SWITCH

For more safety and to maintain battery capacity.

IMPROVED VERSATILITY AND FUEL EFFICIENCY

Whatever your application you can rely on the DX63-3 compact conventional tail swing to take on all these tasks with efficient, dependable performance that saves your time and money.

- Improved load sensing closed-center hydraulic system uses the engine power more effectively, maximising pump output and offering more comfort, smoothness and accuracy regardless of the load.
- Increased digging power, lifting capacity, travel speed and traction force for higher performance.
- Improved fuel efficiency means you can keep costs down and reduce the environmental impact.
- The standard dozer blade float function allows fast finishing work, simply by travelling backwards.



HIGHER GRADEABILITY AND WORK CAPABILITY

Thanks to the high tractive effort and strong swing torque, the DX63-3 offers excellent capability for working on slopes.



BOOM SWING

The swing bracket and the boom swing cylinder size ensure powerful and stable performance.



RPM DIAL / AUTO IDLE

Thanks to the electronic control, the optimal engine rpm can be set per work load. The auto idle function applied as standard helps fuel efficiency and reduces noise levels.



MAIN CONTROL VALVE

The machine can be precisely controlled in single and complex operations and the front hydraulic flow matched to the work load. This contributes to great fuel economy and smooth operation.

THE IDEAL WORKSPACE DESIGNED AROUND YOU

The DX63-3 is designed to provide you with the best possible working conditions.

The sophisticated pressurized ROPS cab is ISO-certified for your safety. Its spacious interior offers a fully adjustable and comfortable seat. Furthermore, you have easy access to several storage compartments and a clear all-round view of the worksite. Noise and vibration levels are reduced while air conditioning allows you to maximize your productivity and return on investment.



ERGONOMIC OPERATOR ENVIRONMENT

Spacious cab with ample leg room, robust ergonomic pedals, large & flat floor, cup holder, etc.

DEVELON FLEET MANAGEMENT

Telematics Service (OPTIONAL)

TELECOMMUNICATIONS Data flow from machine to web



TELEMATICS TERMINAL

Terminal device is installed and connected to a machine to get machine data.



TELECOMMUNICATION

DEVELON provides Dual mode (Cellular, Satellite) communication to maximize communication coverage



DEVELON FM WEB

User can monitor machine status from DEVELON FM Web

TELEMATICS SERVICE BENEFITS DEVELON and dealer support customers to improve work efficiency with timely and responsive services

CUSTOMER

- Improve work efficiency
- Timely and preventive service
- Improve operator's skills by comparing work pattern
- Manage fleet more effectively

DEALER

- Better service for customers
- Provide better quality of service
- Maintain machine value
- Better understanding of market needs

DEVELON

- Responsive to customer's voice
- Utilize quality-related field data
- Apply customer's usage profile to develop new machine

FUNCTIONS(WEB/APP) DEVELON Telematics Service provides various functions to support your great performance



GPS



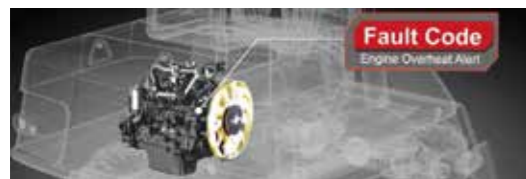
Fuel information



Preventive maintenance



Operation hours



Fault code/warning



ADT Productivity



Reports

FUNCTION		EXCAVATOR	WHEEL LOADER	ADT
GPS	Location Geo-fence	All models	All models	All models
Operation hours	Daily, Weekly, Monthly report	All models	All models	All models
Operation hours	Total operation hours Operation hours by mode	All models	All models	All models
Maintenance parts	Preventive maintenance by item replacement cycle	All models	All models	All models
Fault code/ Warning	Fault code Machine Warnings on Gauge Panel	All models	All models	All models
Fuel information	Fuel level Fuel consumption	All models	All models	All models
Dump capacity	Dump tonnage Count of Work Cycle	N/A	N/A	All models

GLOBAL PARTS NETWORK

QUALITY-PROVEN MAIN COMPONENTS

DEVELON provides fast and precise worldwide delivery of genuine DEVELON parts through its global PDC (parts distribution center) network.

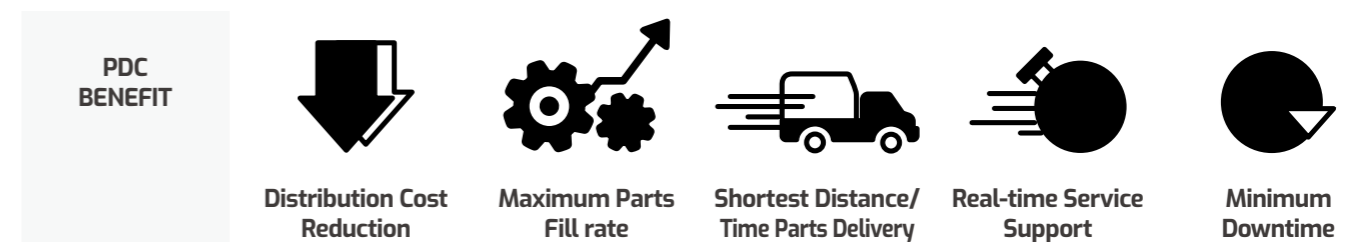


GLOBAL NETWORK

The global network of the GPDC (Global Parts Distribution Center) maximizes its fill rate by making sure that each center is stockpiled with all the critical parts required for businesses in its area. The network also minimizes the time and costs required for parts delivery by positioning PDCs close to major markets around the world. DEVELON PDCs communicate with customers in their time zone, informing them that they are open for operation, and deliver parts to them as early as possible.

THE GLOBAL PARTS DISTRIBUTION CENTER NETWORK

PDCs had been set up as shown below, including Mother PDC in Ansan, Korea. The nine other PDCs include one in China (Yantai), three in USA (Atlanta, Seattle and Miami), two in Europe (Germany and the UK), one in the Middle East (Dubai) and two in Asia (Singapore and Indonesia).



TECHNICAL SPECIFICATIONS

ENGINE

Model	Yanmar 4TNV94L, 4-Cycle Water-Cooled, Direct injection
Number of cylinders	4
Rated power at 2200 rpm	36.2 kW (48.5 HP) (Gross)
Max. torque at 1400 rpm	21 kgf/m (207 Nm)
Idle (low - high)	1050 [± 25] - 2350 [± 25] rpm
Piston displacement	3054 cc
Bore x stroke	Ø 94 mm x 110 mm
Starter	12 V / 3.0 kW
Batteries – Alternator	12 V / 100 Ah – 12 V, 80 A
Air filter	Double element with automatic dust evacuation.

FLUID CAPACITIES

Fuel tank	78 l
Cooling system (radiator capacity)	10 l
Hydraulic oil tank	65 l
Engine oil	10.2 l
Travel device	2 x 1.4 l

ENVIRONMENT

Noise levels comply with environmental regulations (dynamic values)

Noise level LwA

Guaranteed : 97 dB(A) (2000/14/EC)
Measured : 96 dB(A) (2000/14/EC)

Operator LpA

73 dB(A) (ISO 6396)

UNDERCARRIAGE

Very robust construction throughout. All welded structures designed to limit stresses. High-quality, durable materials. Lateral chassis welded and rigidly attached to undercarriage.

- Track rollers lubricated for life.
- Idlers and sprockets fitted with floating seals.
- Steel track shoes made of induction-hardened alloy with triple grouser.
- Heat-treated connecting pins.
- Hydraulic track adjuster with shock-absorbing tension mechanism.

Number of rollers and links per side

Upper rollers	1 (ø 130 mm)
Lower rollers	5 (ø 154 mm)
Number of links	39
Overall track length	2500 mm

HYDRAULIC SYSTEM

- The hydraulic system enables independent or combined operations
- Load sensing closed centre hydraulic with variable displacement piston pump
- Proportional joystick control
- Two travel speeds offer either increased torque or high speed
- Auto-idle
- Auto shift travel
- Control of flow in auxiliary hydraulic circuits

PUMPS

Pump	Type	Displacement (cm ³ /rev)	Max. flow @ 2200 rpm (l/min)
Main (load sensing)	Tandem, Axial piston	60	132

Number of rollers and links per side

Boom / Arm / Bucket	296 kg/cm ²
Work / Travel	255 kg/cm ²
Swing	265 kg/cm ²

SWING MECHANISM

- High-torque, axial piston motor with planetary reduction gear
- Swing bearing: single-row, shear type ball bearing with induction-hardened internal gear
- Internal gear and pinion immersed in lubricant
- Max. swing speed : 9.4 rpm
- Max. swing torque : 1317 kgf/m
- Boom swing angle L/R : 70° / 50°

WEIGHT

	Shoe width (mm)	Operating weight (kg)	Ground pressure (kgf/cm ²)
Rubber	400	6250	0.36
Steel	400	6370	0.36

DIGGING FORCE (ISO)

		Boom: 2.9 m, Arm: 1.9 m, Bucket: 0.069 m ³	Boom: 2.9 m, Arm: 1.6 m, Bucket: 0.17/0.21m ³
Bucket (SAE / ISO)	t	3.95 / 4.41	3.95 / 4.41
	kN	38.7 / 43.2	38.7 / 43.2
Arm (SAE / ISO)	t	2.55 / 2.62	2.84 / 2.93
	kN	25.0 / 25.7	27.8 / 28.7

BUCKETS

Capacity (m ³)	Width (mm)		Weight (kg)
	With side cutters	W/O side cutters	
SAE			
0.175	724	654	141
0.21	724	645	152
0.069	362	300	93.5

DRIVE

Each track is driven by an independent, high-torque, axial piston motor through planetary reduction gears. Two levers of foot pedal control provide smooth travel or counter-rotation upon demand.

Travel speed (low - high)

2.6 - 4.7 km/h

Maximum traction

5.6 t

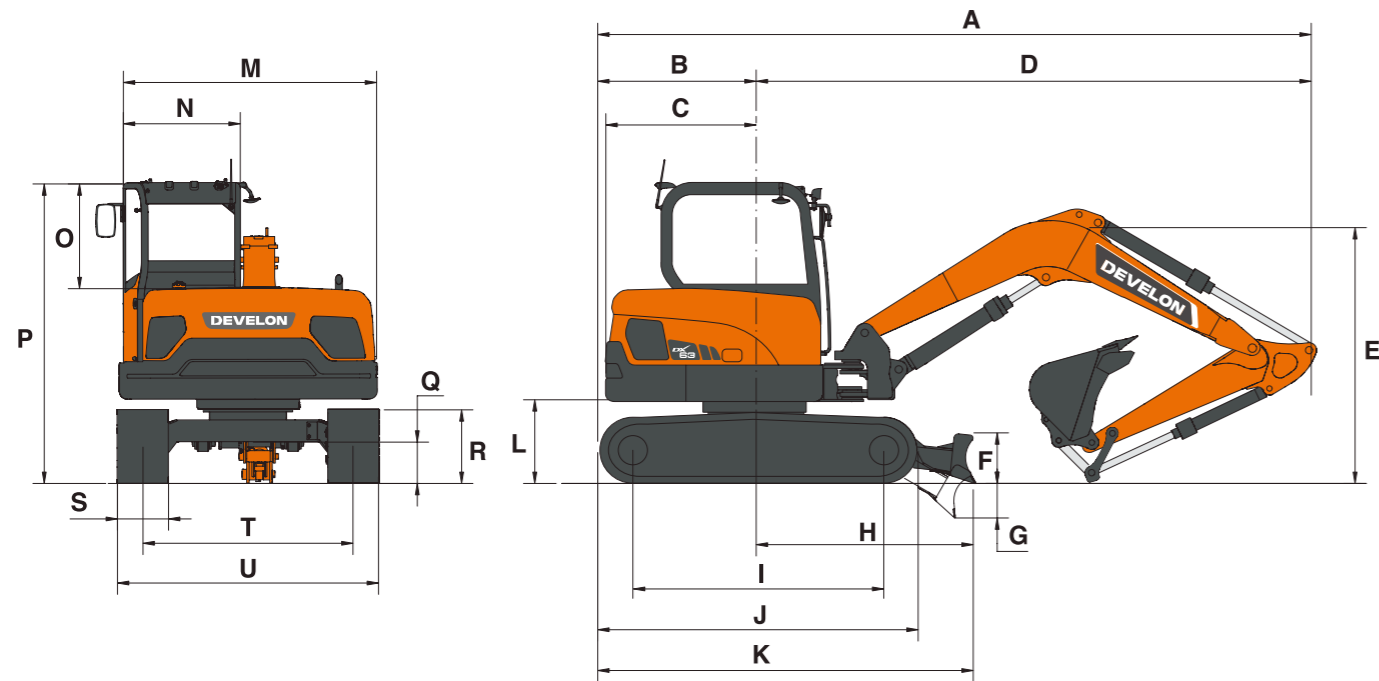
Maximum gradeability

30° / 58%

HYDRAULIC CYLINDERS

Cylinders	Quantity	Bore x rod diameter x stroke (mm)
Boom	1	105 x 60 x 731
Arm	1	85 x 55 x 856
Bucket	1	80 x 50 x 600
Dozer	1	110 x 60 x 183
Boom swing	1	110 x 55 x 550

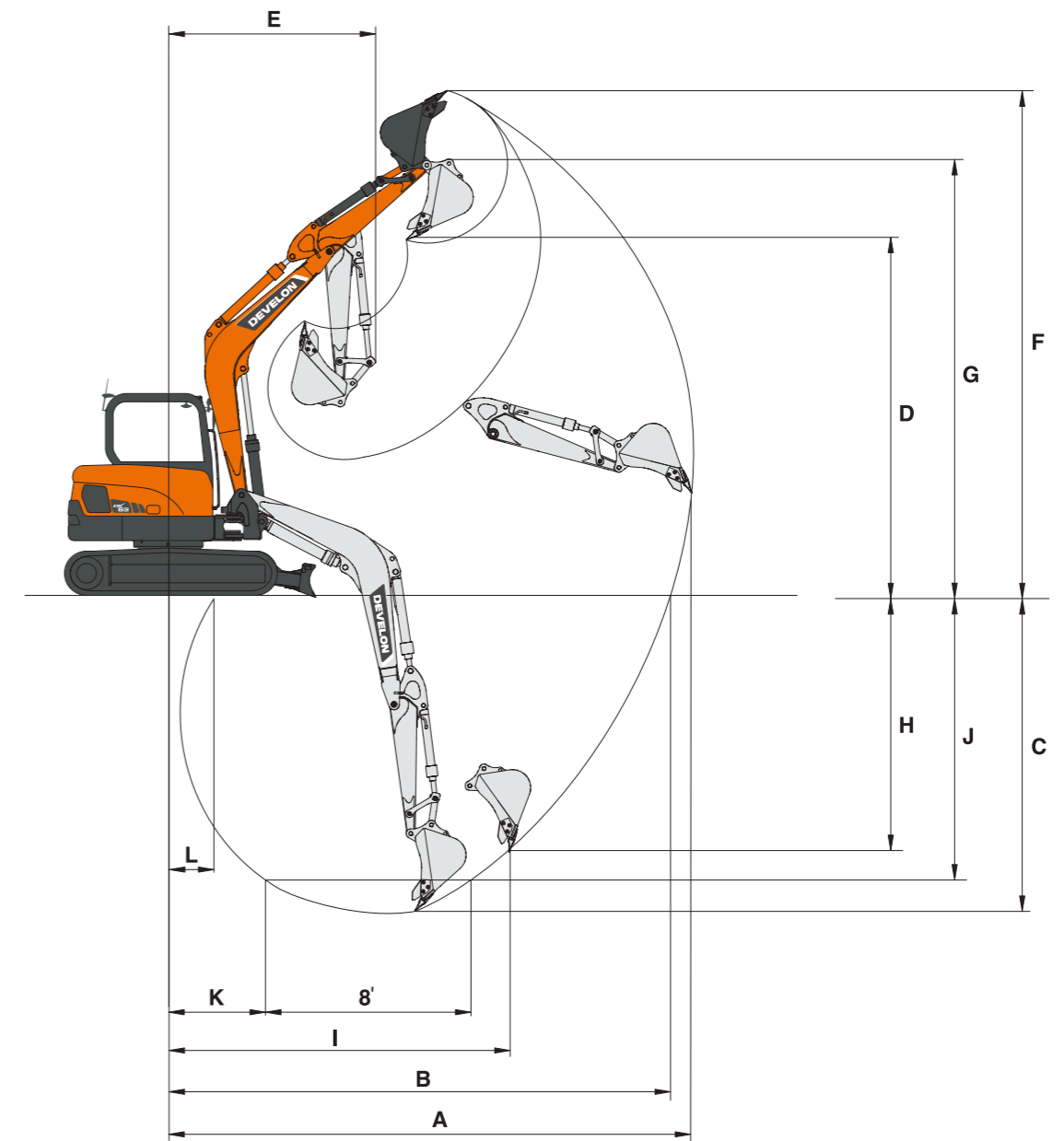
DIMENSIONS



(mm)

Boom length		2900	
Arm length		1600	1900
A	Shipping length	5670	5685
B	Rear length	1270	1285
C	Tail swing radius	1270	1285
D	Front length	4230	4230
E	Shipping height (boom)	2135	2350
	Shipping height (hose)	2175	2370
F	Dozer height	410	410
G	Dozer cut below grade	440	440
H	Center line to blade	1870	1870
I	Tumbler distance	1990	1990
J	Track length	2500	2500
K	Track length to dozer	3150	3150
L	Counterweight clearance	635	635
M	Upperstructure width	1920	1920
N	Cab width	1030	1030
O	Cab height above bonnet	930	930
P	Height over cab	2550	2550
Q	Ground clearance	310	310
R	Track height	590	590
S	Shoe width std.	400	400
T	Track gauge	1580	1580
U	Overall width	1980	1980

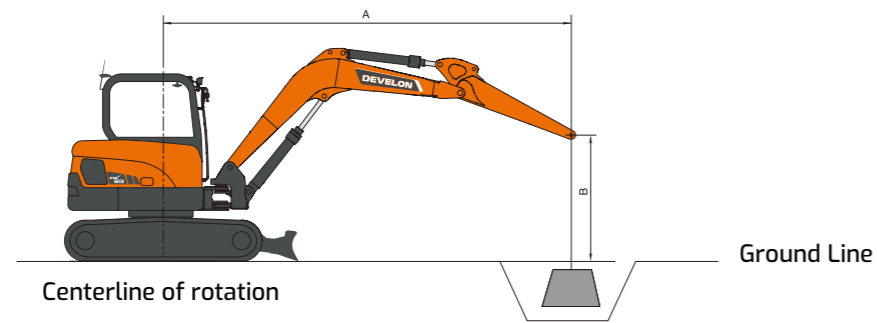
WORKING RANGES



(mm)

Boom type (One-piece)		2900	
Arm type		1600	1900
Bucket type (SAE)		0.175 m ³	0.175 m ³
A	Max. digging reach	6060	6355
B	Max. digging reach (ground)	5930	6230
C	Max. digging depth	3815	4115
D	Max. loading height	4045	4260
E	Min. swing radius	2360	2475
F	Max. digging height	5785	6005
G	Max. bucket pin height	4930	5145
H	Max. vertical wall depth	3125	3435
I	Max. radius vertical - mm	3795	3850
J	Max. digging depth (8' level)	3425	3765
K	Min. radius 8' line	925	910
L	Min. digging reach	170	-190

LIFTING CAPACITY



STANDARD - DOZER UP

Standard track width : 1980 mm Boom : 2900 mm Arm : 1600 mm W/O Bucket Shoe : 400 mm Unit : 1.000kg

B(m)	A(m)	1		2		3		4		5		Max. Reach		A(m)
		☺	☹	☺	☹	☺	☹	☺	☹	☺	☹	☺	☹	
4								1.17	0.98			1.02	0.85	4.32
3								1.16	0.96			0.8	0.67	4.95
2						1.75	1.42	1.11	0.92	0.78	0.65	0.71	0.59	5.27
1						1.62	1.3	1.05	0.87	0.75	0.62	0.68	0.56	5.34
0						1.56	1.24	1.02	0.83	0.74	0.61	0.7	0.58	5.18
-1		*2.56	*2.56	*3.16	2.39	1.55	1.24	1	0.82			0.79	0.65	4.77
-2		*4.07	*4.07	3.3	2.45	1.58	1.26					1.04	0.85	3.98

STANDARD - DOZER DOWN

Standard track width : 1980 mm Boom : 2900 mm Arm : 1600 mm W/O Bucket Shoe : 400 mm Unit : 1.000kg

B(m)	A(m)	1		2		3		4		5		Max. Reach		A(m)
		☺	☹	☺	☹	☺	☹	☺	☹	☺	☹	☺	☹	
4								*1.34	1.29			*1.23	1.13	4.32
3								*1.38	1.28			*1.13	0.9	4.95
2						*2.18	1.94	*1.65	1.23	*1.44	0.87	*1.13	0.8	5.27
1						*2.98	1.81	*1.96	1.18	*1.55	0.85	*1.19	0.77	5.34
0						*3.27	1.74	*2.15	1.14	*1.60	0.83	*1.35	0.79	5.18
-1		*2.56	*2.56	*3.16	*3.16	*3.11	1.74	*2.09	1.13			*1.56	0.89	4.77
-2		*4.07	*4.07	*4.06	3.66	*2.51	1.77					*1.57	1.17	3.98

OPTION 1 - DOZER UP

Standard track width : 1980 mm Boom : 2900 mm Arm : 1900 mm W/O Bucket Shoe : 400 mm Unit : 1.000kg

B(m)	A(m)	1		2		3		4		5		Max. Reach		A(m)
		☺	☹	☺	☹	☺	☹	☺	☹	☺	☹	☺	☹	
5												*1.26	1.17	3.65
4								*1.14	1.03			0.98	0.78	4.69
3								1.22	1.02	0.83	0.7	0.75	0.63	5.27
2						1.86	1.51	1.17	0.97	0.81	0.68	0.68	0.56	5.56
1						1.71	1.38	1.1	0.91	0.79	0.65	0.65	0.54	5.63
0						1.62	1.3	1.06	0.87	0.76	0.63	0.67	0.55	5.49
-1		*2.16	*2.16	*2.80	2.45	1.6	1.28	1.04	0.85	0.76	0.63	0.74	0.61	5.10
-2		*3.39	*3.39	3.38	2.5	1.62	1.29	1.05	0.86			0.93	0.76	4.39
-3				*2.47	*2.47	*1.41	1.37					*1.33	*1.33	3.05

OPTION 1 - DOZER DOWN

Standard track width : 1980 mm Boom : 2900 mm Arm : 1900 mm W/O Bucket Shoe : 400 mm Unit : 1.000kg

B(m)	A(m)	1		2		3		4		5		Max. Reach		A(m)
		☺	☹	☺	☹	☺	☹	☺	☹	☺	☹	☺	☹	
5												*1.26	*1.26	3.65
4								*1.14	*1.14			*1.03	1.03	4.69
3								1.22	1.22	*1.26	0.93	*0.95	0.84	5.27
2						*1.88	*1.88	*1.50	1.29	*1.34	0.91	*0.95	0.76	5.56
1						*2.76	1.89	*1.85	1.23	*1.48	0.88	*1.00	0.73	5.63
0						*3.21	1.81	*2.09	1.18	*1.58	0.86	*1.11	0.75	5.49
-1		*2.16	*2.16	*2.80	*2.80	*3.18	1.79	*2.12	1.16	*1.51	0.85	*1.34	0.83	5.10
-2		*3.39	*3.39	*4.66	3.74	*2.74	1.81	*1.81	1.17			*1.48	1.04	4.39
-3				*2.47	*2.47	*1.41	*1.41					*1.33	*1.33	3.05

1. Lifting capacities are in compliance with ISO 10567:2007(E). 2. The load point is at the end of the arm.
 3. * = The nominal loads are based on hydraulic capacity.
 4. The nominal loads shown do not exceed 75% of tipping loads or 87% of hydraulic lifting capacity.
 5. For lifting capacity with bucket, simply subtract the actual weight of the bucket from the values.
 6. The configurations indicated do not necessarily reflect the standard equipment of the machine.

☺ : Rating Over Front
 ☹ : Rating Over Side or 360 Degree

STANDARD AND OPTION

STANDARD EQUIPMENT

Engine

- Yanmar Diesel engine combined with VCU System, direct injection, EU Stage III A compliant
- Auto-idle

Hydraulic system

- Spare ports (valve)
- Breaker piping
- Cylinder cushioning & contamination seals
- Control of auxiliary hydraulic flow and settings from the
- Display panel, 1 & 2 way auxiliary

Cab & Interior

- Roll Over Protective Structure (ROPS)
- Pressurized, sound-insulated cab
- Adjustable seat with adjustable headrest and armrest
- Air conditioning
- Pull-up type front window and removable lower front window
- Sliding right windows with lock
- Ceiling light
- Intermittent upper windshield wiper
- Multiple storage compartments
- Flat, spacious, easy-to-clean floor
- Cup holder
- Anti-theft protection
- 5.7" (14.5 cm) LCD color monitor panel
- Engine speed (RPM) control dial
- Hydrostatic 2-speed travel system with manual or automatic shift
- Radio-ready
- 12 V power socket
- Serial communication port for laptop PC interface
- Adjustable PPC joystick for arm, boom, bucket and swing, with sliding proportional control for attachments and auxiliary hydraulic buttons
- Travel pedals and hand levers
- Master key

Safety

- Rotating beacon
- Safety glass
- Hammer for emergency escape
- Right and left rearview mirrors
- Emergency engine stop switch
- Engine overheat and restart prevention system
- Parking brake and cab swing lock automatic
- Reinforced cast steel pivot points
- Battery cut-off switch
- Halogen work light (1 on cab top)
- Lockable fuel cap
- Alarm for travel

Other

- Mono boom: 2900 mm – arm: 1600 mm
- Counterweight: 830 kg
- Fuel filler pump
- Double element air cleaner
- Engine hood with gas spring
- Self-diagnostic function
- Battery (12 V, 100 Ah), alternator (12 V, 80 A)
- Electric horn
- Remote greasing for swing circle and workgroup pivot points
- Guards for boom lights

Undercarriage

- Fixed undercarriage
- Hydraulic track adjuster
- Greased and sealed track links
- Steel tracks 400 mm
- Dozer blade (width: 1980 mm & height: 410 mm)

OPTIONAL EQUIPMENT

Cab & Interior

- MP3/USB radio with CD player (kit)
- Pattern change
- Sun Visor
- Suspension seat with heat

Hydraulic system

- Quick Coupler piping
- Clamshell piping
- Rotating piping
- Dozer lock valve piping

Safety

- FOGS cab - top and front cab guards (ISO 10262) (kit)
- Front window upper and lower guards
- Overload warning device
- Rear view camera
- Roof guard
- Boom and arm cylinder safety valves

Other

- Long arm: 1900 mm with counterweight: 934 kg

Undercarriage

- Dozer double check valve (kit)
- Rubber tracks 400 mm

We are **DEVELON**

We trace our roots to 1937 as one of Korea's first large scale machine plant. Throughout time we have consistently delivered exceptional products and solutions.

DEVELON is a bold name that reflects our core ambition to continue developing onwards and leaving behind a positive footprint in our world. Moving forward, we seek to be part of our customers and partners' endeavor to build a better world.

Powered by **Innovation**

