

DEVELON

Excavator

DX800LC-5B



PEERLESS STRENGTH AND STEADINESS, OUR COMMITMENT TO YOUR SUCCESS



The DX800LC-5B is designed for maximum productivity with outstanding performance, durability and surprisingly high fuel efficiency. Serving as your reliable partner, it enables you to work in harsh mining environments where avoiding downtime is critical.

INCOMPARABLE DURABILITY

QUALITY-PROVEN MAIN COMPONENTS

Manufactured with the finest quality main components customized precisely for large equipment, this new machine offers the Best-in-Class power and durability.



A SWING MOTOR



B MCV



C MAIN PUMP

* Actual product may differ from the image shown above.



TOTALLY REDESIGNED STRUCTURE

DEVELON offers a whole new structure designed specifically for mining operations, keeping your excavator running at all times in rugged harsh environments.

NEW HEAVY DUTY FRONT

UPPER STRUCTURE

HEAVY DUTY UNDERCARRIAGE



D ENGINE

NEW HEAVY DUTY FRONT

The significantly improved performance of the boom and arm of the DX800LC-5B has considerably enhanced the overall durability of the machine.

BOOM IMPROVEMENT

- ❶ Boom foot design changed to increase the pin strength and decrease one-side wear of the pin.
- ❷ Flat steel plate for dispersing machine stress.
- ❸ Welding design changed to increase welding part lifetime.
- ❹ Inner reinforce plate changed for dispersing stress.

ARM IMPROVEMENT

- ❺ Bottom steel plate of arm changed to increase strength of arm structure.
- ❻ Arm center boss changed to lower stress.
- ❼ Arm welding design changed to decrease stress.
- ❽ Diameter of the pin increased (130 ϕ > 140 ϕ) to increase the pin strength.

UPPER STRUCTURE

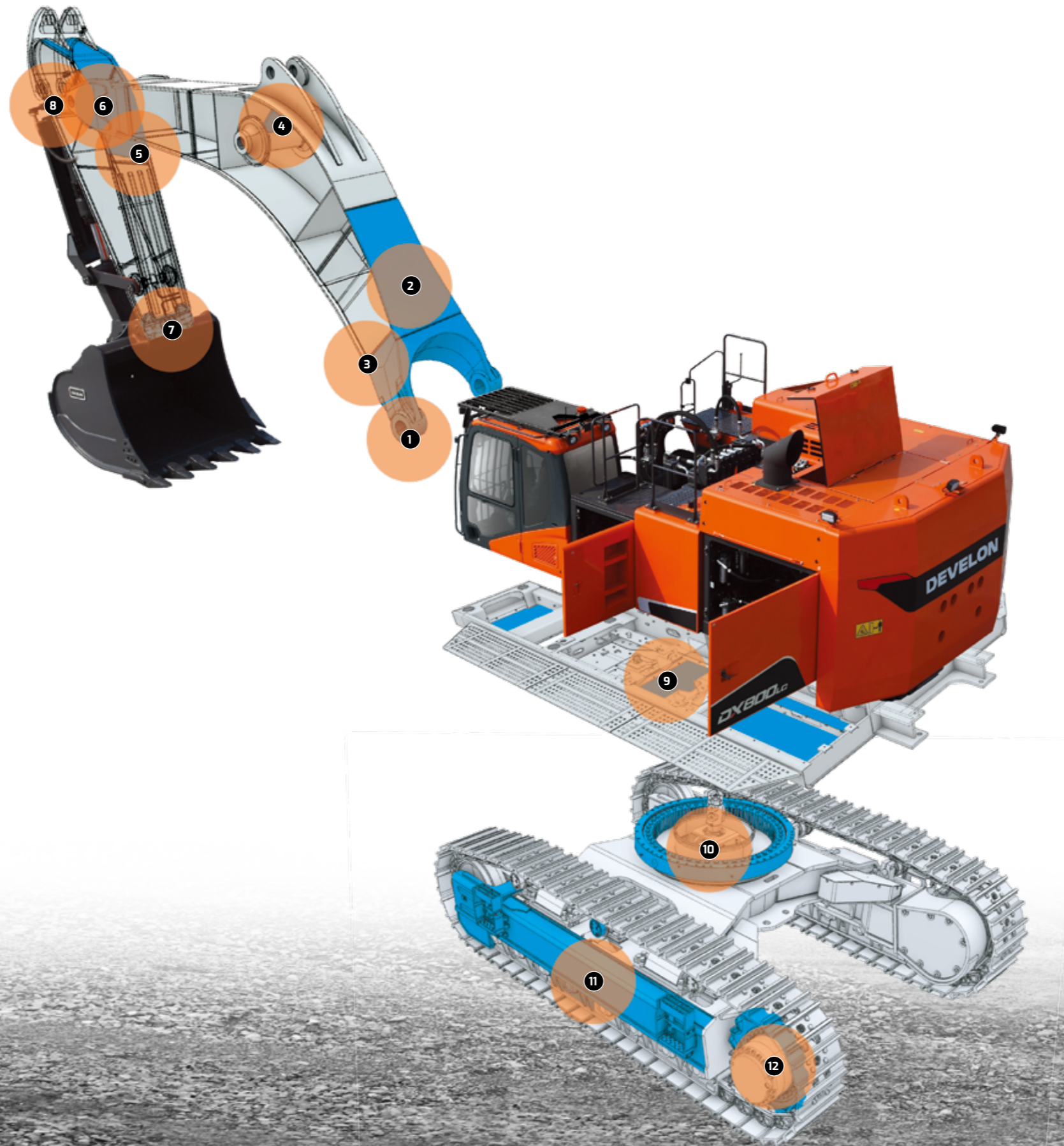


❾ HEAVY DUTY UNDER COVER



❿ CROSSED ROLLER SWING BEARINGS

Crossed roller bearings make your machine more operabl with longer life.



HEAVY DUTY UNDERCARRIAGE



Enhanced frame



Larger roller



Full track guard (optional)

⓫ REINFORCED UNDERCARRIAGE

Our heavy duty undercarriage further increases durability of your machine.



⓬ HEAVY-DUTY SPROCKET

MAXIMUM PRODUCTIVITY

The new engine and intelligent hydraulic system deliver the best-in-class productivity.

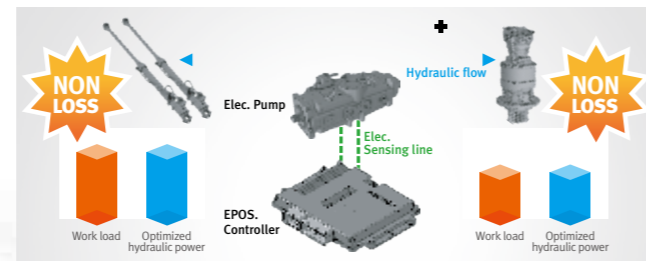
NEW ENGINE WITH ENHANCED POWER AND RELIABILITY

Manufactured in a world-class facility for reliability and durability, the DX800LC-5B engine ensures many years of productive life to keep your machine running efficiently and effectively even under the toughest jobsite conditions. Along with this, it allows you to maintain your machine at a low cost throughout its lifetime with features that minimize service costs combined with low fluid consumption.



THE MOST ADVANCED HYDRAULIC SYSTEM (D-ECOPOWER+)

This new electronic main pump accurately calculates the amount of pump flow required for each actuator, thereby maximizing productivity (faster operation) and avoiding unnecessary fuel loss.

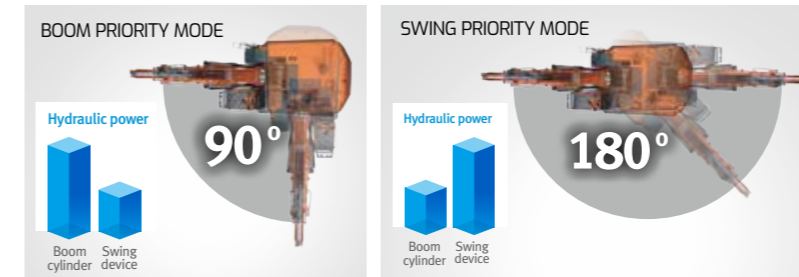


* Actual product may differ from the image shown above.

SELECTABLE OPERATING MODES OPTIMIZED FOR VARIOUS WORK ENVIRONMENTS

Boom/Swing Priority Control

Allows you to control operating modes with just one button and provides optimized level, resulting in a more comfortable and productive operation.



FUEL-SAVING TECHNOLOGIES

Smart Power Control (SPC)

Allows your machine to provide optimized control for engine speed and torque simply with this one button based on different workloads, resulting in significant improvements in fuel efficiency by reducing unnecessary fuel consumption.



Highly Efficient Cooling System

Enjoy greater cooling speed and capacity with a larger cooling device (radiator / oil cooler).



EXCELLENT COMFORT AND SAFETY

Safety comes in first with enhanced features.

LED WORK LIGHTS



AROUND VIEW MONITOR (AVM) SYSTEM



LED WORKING LAMP

More productive at night with highly improved sight.



AROUND VIEW MONITOR (AVM) SYSTEM

Provides 360-degree view in your cabin through AVM system.

AIR COMPRESSOR

Air gun in your cabin helps you to keep clean and comfortable ambience.



ANTI-HOSE BURST PROTECTION SYSTEM

This newly equipped Anti-Hose Burst Valve is to prevent secondary accidents resulting from boom/arm down that may be caused by a sudden hose burst.

CONVENIENT MAINTENANCE

We offer easy, breezy maintenance system that can also prevent downtime of your machine.

1 WIDE CATWALK

Maintenance becomes easy with catwalk 20% wider than the previous one.

20% 



2 AUTO GREASE SYSTEM (AGS)

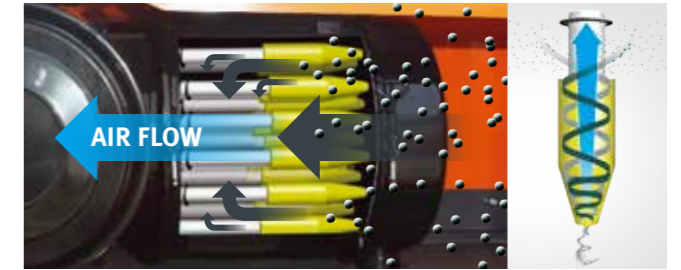
This new auto grease filling device helps reduce maintenance time significantly and avoid unexpected downtime.

3 REVERSIBLE FAN

- Rotating cooling fan in reverse direction is possible.
- Able to blow away dust on radiator and oil cooler easily to save time & effort.

4 COLD WEATHER PACKAGE (OPTIONAL)

Engine coolant heater is available for better cold cranking performance.



5 HEAVY DUTY AIR CLEANER

Protects from dust and contaminated particles with a two-stage air cleaner, enabling easy maintenance and downtime avoidance.



6 ELECTRIC FUEL TRANSFER PUMP (ETP)

Use this switch to easily refill fuel for your machine after its inspection or repair.



7 CENTRALIZED FUEL FILTRATION SYSTEM

Water separator, pre-fuel filter and main filter are grouped together to increase engine life and prevent machine failures, making machine inspection or maintenance much easier with one simple access.



* Actual product may differ from the image shown above.

DEVELON FLEET MANAGEMENT

Telematics Service (OPTIONAL)

TELECOMMUNICATIONS Data flow from machine to web



TELEMATICS TERMINAL

Terminal device is installed and connected to a machine to get machine data.



TELECOMMUNICATION

DEVELON provides Dual mode (Cellular, Satellite) communication to maximize communication coverage



DEVELON FM WEB

User can monitor machine status from DEVELON FM Web

TELEMATICS SERVICE BENEFITS DEVELON and dealer support customers to improve work efficiency with timely and responsive services

CUSTOMER

- Improve work efficiency
- Timely and preventive service
- Improve operator's skills by comparing work pattern
- Manage fleet more effectively

DEALER

- Better service for customers
- Provide better quality of service
- Maintain machine value
- Better understanding of market needs

DEVELON

- Responsive to customer's voice
- Utilize quality-related field data
- Apply customer's usage profile to develop new machine

FUNCTIONS(WEB/APP) DEVELON Telematics Service provides various functions to support your great performance



GPS



Fuel information



Preventive maintenance



Operation hours



Fault code/warning



ADT Productivity



Reports

	FUNCTION	EXCAVATOR	WHEEL LOADER	ADT
GPS	Location Geo-fence	All models	All models	All models
Operation hours	Daily, Weekly, Monthly report	All models	All models	All models
Operation hours	Total operation hours Operation hours by mode	All models	All models	All models
Maintenance parts	Preventive maintenance by item replacement cycle	All models	All models	All models
Fault code/ Warning	Fault code Machine Warnings on Gauge Panel	All models	All models	All models
Fuel information	Fuel level Fuel consumption	All models	All models	All models
Dump capacity	Dump tonnage Count of Work Cycle	N/A	N/A	All models

GLOBAL PARTS NETWORK

QUALITY-PROVEN MAIN COMPONENTS

DEVELON provides fast and precise worldwide delivery of genuine DEVELON parts through its global PDC (parts distribution center) network.



GLOBAL NETWORK

The global network of the GPDC (Global Parts Distribution Center) maximizes its fill rate by making sure that each center is stockpiled with all the critical parts required for businesses in its area. The network also minimizes the time and costs required for parts delivery by positioning PDCs close to major markets around the world. DEVELON PDCs communicate with customers in their time zone, informing them that they are open for operation, and deliver parts to them as early as possible.

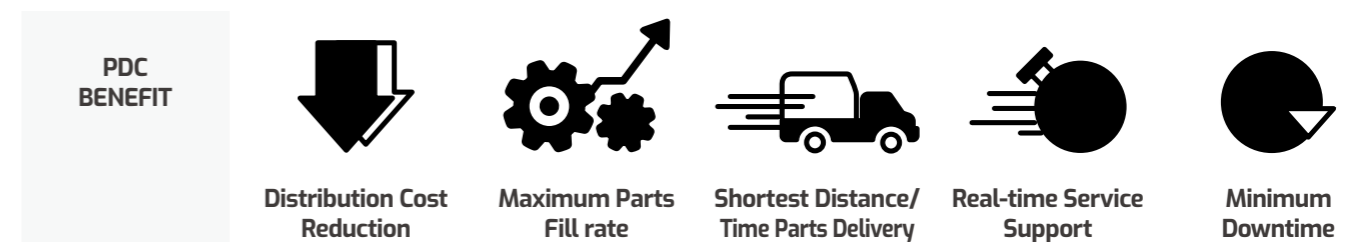
THE GLOBAL PARTS DISTRIBUTION CENTER NETWORK

PDCs had been set up as shown below, including Mother PDC in Ansan, Korea. The ten other PDCs include one in China (Yantai), three in USA (Atlanta, Seattle and Miami), two in Europe (Germany and the UK), one in the Middle East (Dubai) and two in Asia (Singapore and Indonesia) and one in Brazil (São Paulo).



MPDC : Mother Parts Distribution Center

PDC : Parts Distribution Center



ATTACHMENTS

EHD Series Bucket (Heavy Duty)



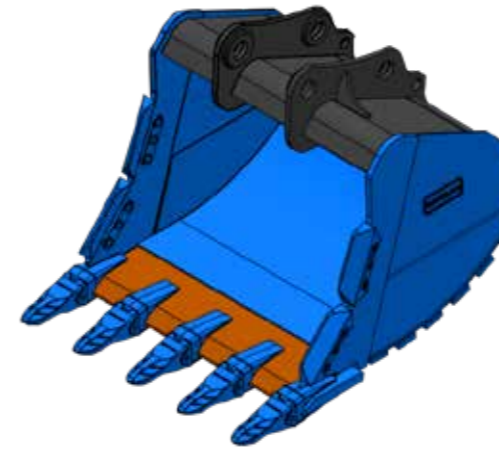
Feature & Benefits

- High abrasion resistant steels are applied for superior durability.
- 400HB: Equivalent to Hadox400
- 500HB: Equivalent to Hadox500 or Borox500
- Optimized design for Develon genuine HD tooth for high penetration.
- Adoption of new designed side cutter for better penetration and protection.
- Dual curved profile for high capacity.
- Low tip radius for greater digging performance.

■ High strength steel ■ High abrasion resistant steel (400HB) ■ High abrasion resistant steel (500HB)

Model name	Parts number	Capacity (m ³)	width(mm)
EHD80-1900	230104-05688	4.64	1,920
EHD80-2200	230104-05690	5.24	2,226

ESD Series Bucket (Severe Duty)



Feature & Benefits

- High abrasion resistant steels are applied for superior durability.
- 400HB: Equivalent to Hadox400
- 500HB: Equivalent to Hadox500 or Borox500
- Optimized design for Develon genuine SD tooth for high penetration.
- Bolt-on shroud protectors.
- Strong wear pad on bottom.
- Dual curved profile for high productivity.
- Low tip radius for greater digging performance.

■ High strength steel ■ High abrasion resistant steel (400HB) ■ High abrasion resistant steel (500HB)

Model name	Parts number	Capacity (m ³)	width(mm)
ESD80-1600	230104-05699	3.75	1,620
ESD80-1700	230104-05701	4.05	1,720
ESD80-1900	230104-05703	4.64	1,920
ESD80-2200	230104-05705	5.24	2,226

EXD Series Bucket (Extrem Duty)



Feature & Benefits

- High abrasion resistant steels are applied for superior durability.
- 400HB: Equivalent to Hadox400
- 500HB: Equivalent to Hadox500 or Borox500
- Optimized design for Develon genuine HD tooth for high penetration.
- Adoption of new designed side cutter for better penetration and protection.
- Dual curved profile for high capacity.
- Low tip radius for greater digging performance.

■ High strength steel ■ High abrasion resistant steel (400HB) ■ High abrasion resistant steel (500HB) ■ Protectors

Model name	Parts number	Capacity (m ³)	Weight(kg)	width(mm)
ESD80-1600	230104-05711	3.75	4,283	1,650
EXD80-1800	230104-05713	4.05	4,418	1,750
EXD80-2000	230104-05716	4.64	4,784	1,950
EXD80-2200	230104-05718	5.24	5,101	2,226

ATTACHMENTS

HYDRAULIC BREAKER



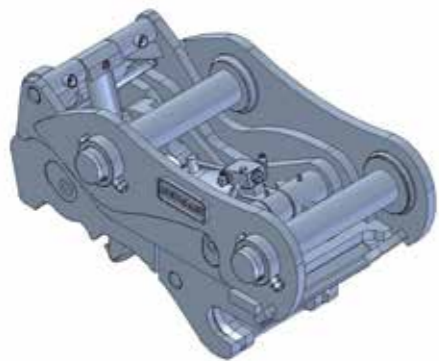
Designed for mainly focusing on breaking job. DEVELON's focus is to optimize impact power, enhance durability, satisfy customer convenience and maintain easily in order to be faithful to the original function of hydraulic breaker.

Feature & Benefits

- Cover all Develon equipments from small to super heavy sized.
- Reliable Performance certified by AEM.
- 3D based design and analysis to optimize structure.
- 3 different bracket options. (Top, Housing, Side)
- Standard option for Dual Speed Control system & Anti-Blank Blow.
- Centralized auto grease system. (Optional)
- Underwater operating Kit. (Optional)
- 2 Years Warranty.

Model name	Parts number	Weight [Kg]	Operating Pressure [bar]	Oil Flow[l/min]	Impact rate[bpm]
XB90	230103-00361	8,457	150 ~ 185	380 ~ 480	335 ~ 425
	230103-00362				
	230103-00363				

EQC Series Quick coupler (Dual locking)



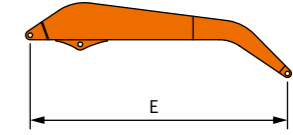
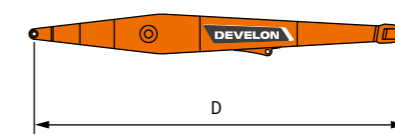
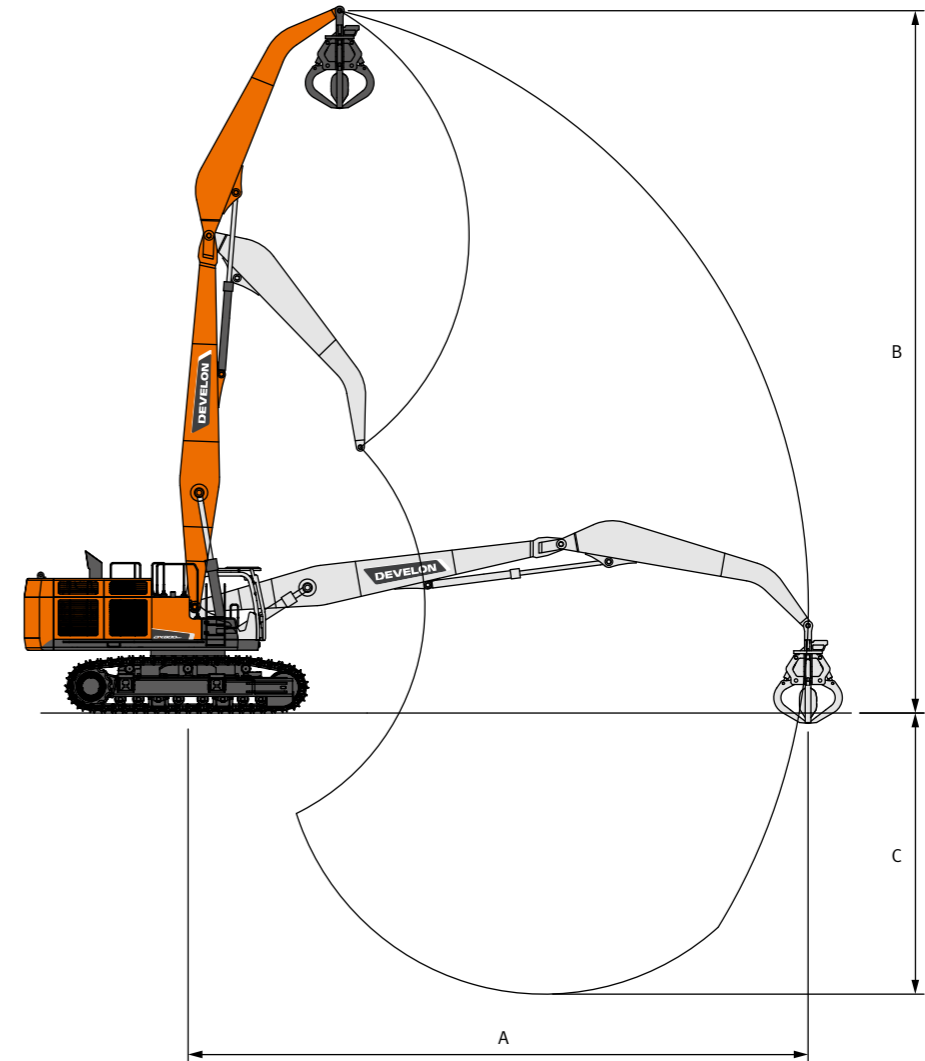
Feature & Benefits

- Available from 1 ton to 80 ton.
- Compliant with EN 474-1 & ISO 13031.
- Front & Rear Safety Lock system.
- High Strength Steel.
- Lift eye standard.

Model name	Parts number	Weight [Kg]	Operating Pressure [bar]	Pick-up range[mm]	Lifting hookSWL[kg]
EQC80D	270201-00112	2,100	150 ~ 185	595-735	40,000

SPECIAL APPLICATION

MATERIAL HANDLER



WORKING RANGES

Max. Arm End Reach	(mm)	A	18,240
Max. Arm End Height	(mm)	B	19,850
Max. Arm End Depth	(mm)	C	8,620
Boom Length	(mm)	D	11,000
Arm Length	(mm)	E	7,500
Additional Counterweight	(kg)	-	3,200

MATERIAL HANDLER ATTACHMENTS

Model	Capacity (m ³)	
	Orange Grapple	Clamshell Bucket
OG50	1.0	1.4
CB30		



Orange Grapple

is commonly designed for handling scrap iron in wrecking yards or recycling plants and waste in landfill sites. Sometime it also used in building sites for transferring stones.



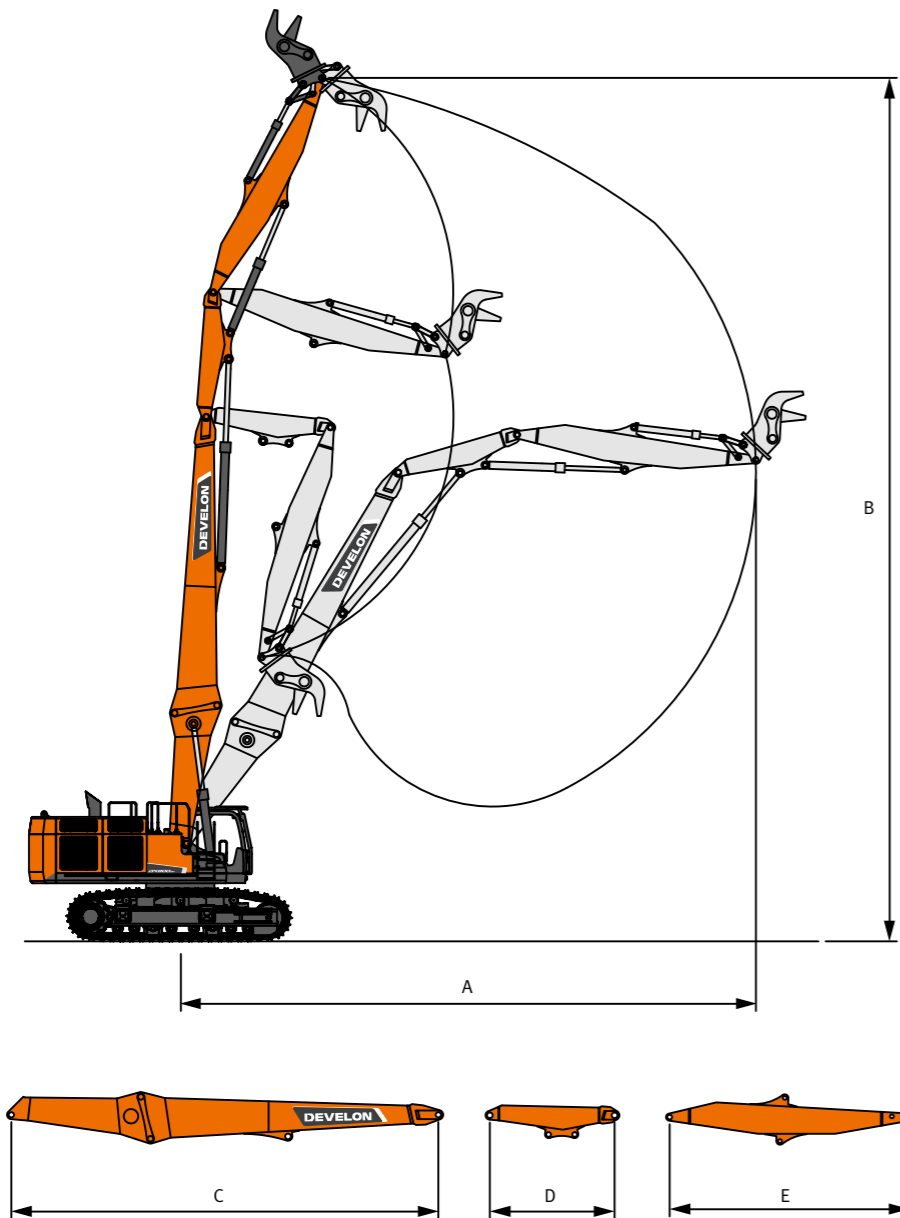
Clamshell Bucket

is commonly used in dredging, excavation or material handling however, each application has its unique characteristics and has to be designed optimally for maximum efficiency.

SPECIAL APPLICATION

DEVELON provide various solution & various custom job application.

HIGH REACH DEMOLITION



WORKING RANGES

Max. Arm End Reach	(mm)	A	18,000
Max. Arm End Height	(mm)	B	32,900
Boom Length	(mm)	C	17,400
Mid Arm Length	(mm)	D	2,700
End Arm Length	(mm)	E	10,600
Additional Counterweight	(kg)	-	6,000

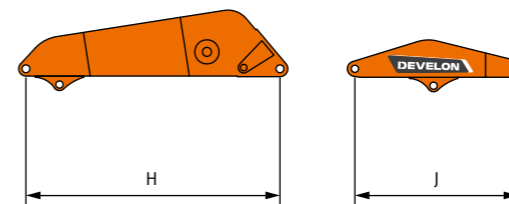
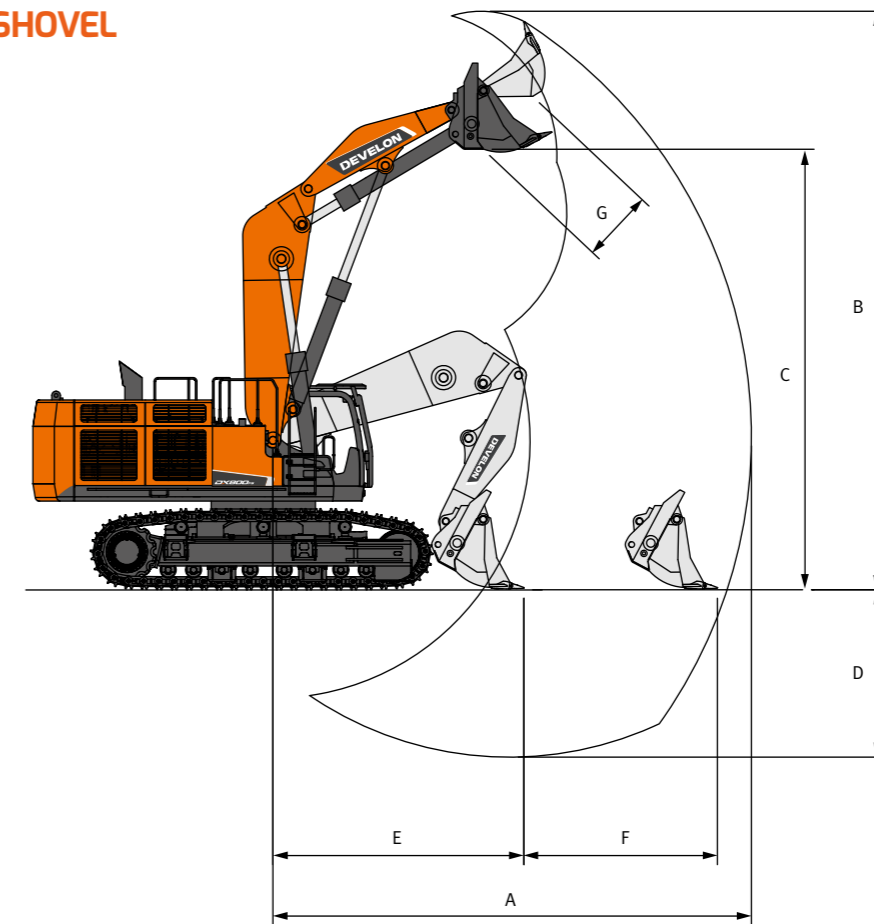
DEMOLITION ATTACHMENTS

Model	Rotating Crusher	Multi-Processor
	RC3	MP34
Crushing Force	78	101
Opening Width	1,056	980

Rotating Crusher
is designed for both primary demolition work and secondary concrete reduction. Especially for secondary demolition, it is ideal for breaking out concrete from fixed structure, pulverizing concrete, separating different materials for recycling, cutting reinforced rods and small steel profile, and working with high reach boom.

Multi-Processor
is designed for all demolition sites by inter-changing jaw sets mounted on a single base unit.

FRONT SHOVEL



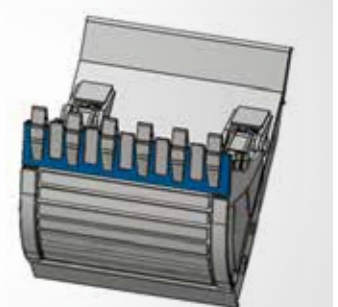
TYPES OF LIP PLATE SHAPE FOCUSED ON PERFORMANCE

STRAIGHT SHAPE

Designed for :
Multi purposed digging and loading in almost all of general job site.

Features & Benefits

Even distributed breakout force on the all bucket tooth. Especially higher efficiency for normal duty digging and loading.



WORKING RANGES

Max. Digging Reach	(mm)	A	9,400
Max. Digging Height	(mm)	B	11,250
Max. Dumping Height	(mm)	C	8,050
Max. Digging Depth	(mm)	D	4,150
Min. Digging Reach	(mm)	E	5,400
Digging Range On Ground	(mm)	F	3,200
Bucket Opening Width	(mm)	G	1,600
Boom Length	(mm)	H	4,500
Arm Length	(mm)	I	3,000
Additional Counterweight	(kg)	-	3,200

FRONT SHOVEL BUCKET

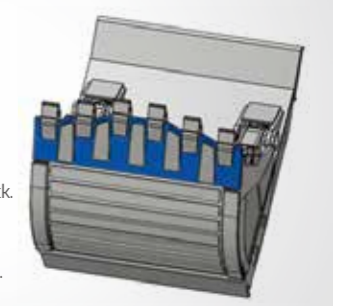
Duty Type	H-class	S-class	X-class
Capacity (m ³)	5.0	4.5	4.2

V-SHAPE

Designed for :
Face or bank loading in mining or quarry applications.

Features & Benefits

Optimized penetration for high resistance material such as blasted rock. - 150°-160° tapered lip plate reduce the penetration resistance. Increased anti-abrasion life for lip plate.



TECHNICAL SPECIFICATIONS

ENGINE

Model	Perkins 2506D (Tier 3)
Type	WATER-COOLED MEUI (Mechanically Actuated Electronically Controlled Unit Injector)
Number of cylinders	6
Rated Power	354 kW (481 PS) @ 1,800 rpm (SAE J1995,Gross) 354 kW (481 PS) @ 1,800 rpm (SAE J1349, net)
Max torque	222.1 kgf.m @ 1,400 rpm
Piston displacement	15.2 l
Bore & stroke	∅ 137.2 mm x 171.4 mm
Starting Motor	24 V x 9.0 kW
Batteries	24 V (12 V x 2 / 200 AH)
Air cleaner	Double element with precleaner

WEIGHT

Shoe Width	Ground Pressure	Machine Weight
STD. 650DG mm	1.14 kgf/cm ²	76.9 ton
OPT. 750DG mm	1.00 kgf/cm ²	77.8 ton
OPT. 900DG mm	0.84 kgf/cm ²	78.5 ton

BUCKET COMBINATION

Bucket Type	Capacity		6.65B		7.7B		6.65B		7.7B		6.65B		7.7B	
			650SHOE				750SHOE				900SHOE			
	SAE	CECE	2.6A	2.9A	2.9A	3.55A	2.6A	2.9A	2.9A	3.55A	2.6A	2.9A	2.9A	3.55A
H Class	3.42	3.08	A	A	A	B	A	A	A	A	A	A	A	A
	3.68	3.29	A	A	A	B	A	A	A	B	A	A	A	B
	4.05	3.67	A	A	B	C	A	A	B	C	A	A	B	C
	4.43	3.94	A	A	C	C	A	A	C	C	A	A	C	C
	4.64	4.18	A	A	C	D	A	A	C	D	A	A	C	D
	5.24	4.70	B	B	D	D	B	B	D	D	B	B	D	D
S Class	5.58	5.06	B	C	D	-	B	C	D	-	B	C	D	-
	3.75	3.41	A	A	B	C	A	A	B	C	A	A	B	C
	4.05	3.67	A	A	C	C	A	A	C	C	A	A	B	C
	4.64	4.8	A	B	D	D	A	B	D	D	A	B	C	D
	5.24	4.70	B	C	D	-	B	B	D	-	B	B	D	-
X Class	5.58	5.06	C	C	-	-	C	C	-	-	C	C	-	-
	3.75	3.41	A	A	B	C	A	A	B	C	A	A	B	C
	4.05	3.67	A	A	C	C	A	A	C	C	A	A	C	C
	4.64	4.18	A	B	D	D	A	B	D	D	A	B	D	D
	5.24	4.70	B	C	D	-	B	C	-	-	B	C	D	-

Based on ISO 10567 and SAE J296, arm length without quick change clamp
A : Suitable for materials with density of 2,100 kg/m³ (3,500 lb/yd³) B : Suitable for materials with density of 1,800 kg/m³ (3,000 lb/yd³)
C : Suitable for materials with density of 1,500 kg/m³ (2,500 lb/yd³) D : Suitable for materials with density of 1,200 kg/m³ (2,000 lb/yd³)
- : Not recommended

HYDRAULIC SYSTEM

The heart of the system is the EPOS™ (Electronic Power Optimizing System). It allows the efficiency of the system to be optimized for all working conditions and minimizes fuel consumption. The new EPOS™ is connected to the engine electronic control via a data transfer link to harmonize the operation of the engine and hydraulics.

- The hydraulic system enables independent or combined operations.
- Two travel speeds offer either increased torque or high speed tracking.
- Cross-sensing pump system for fuel savings.
- Auto deceleration system.
- Two operating modes, two power modes.
- Button control of flow in auxiliary equipment circuits.
- Computer-aided pump power control.

Main pumps

Tandem, Axial piston
Max flow : 2 x 504 l/min @ 100 bar, 1,800 rpm
Displacement : 280 X 2 cc/rev

Pilot pump

Gear pump - max flow : 50.4 l/min
Pilot pump : 28 cc/rev

Main relief Pressure

Main Relief Valve Pressure : 350 bar (357 kgf/cm²)
Travel Crossover Relief Valve Pressure : 368 bar (375 kgf/cm²)
Swing Crossover Relief Valve Pressure : 294 bar (300 kgf/cm²)

HYDRAULIC CYLINDERS

The piston rods and cylinder bodies are made of high-strength steel. A shock absorbing mechanism is fitted in all cylinders to ensure shock-free operation and extend piston life.

Cylinders	Quantity	Bore x Rod diameter x Stroke
Boom	2	190 X 125 X 1,795 mm
Arm	1	215 X 150 X 2,030 mm
Bucket	1	190 X 130 X 1,465 mm

UNDERCARRIAGE

Extremely robust construction throughout - made of high quality, durable materials, with all welded structures designed to limit stresses.

- Track rollers lubricated for life.
- Idlers and sprockets fitted with floating seals.
- Track shoes made of induction-hardened alloy with double grouser.
- Heat-treated connecting pins.
- Hydraulic track adjuster with shock-absorbing tension mechanism.

Upper rollers(Standard shoe) - 3

Lower rollers - 8

Track shoes - 48

Overall track length - 5,960 mm

BUCKET DIGGING FORCES

Bucket Type	Capacity (m ³)		Width (mm)		Digging Force (ton)
	SAE	CECE	W/O Cutter	With Cutter	
H Class	3.42	3.08	1,720	1,720	7.7 m / 6.65 m Boom [SAE] 32.2 / 35.7 [ISO] 36.0 / 39.8
	3.68	3.29	1,820	1,820	
	4.05	3.67	1,720	1,720	
	4.43	3.94	1,850	1,850	7.7 m / 6.65 m Boom [SAE] 31.8 / 35.3 [ISO] 34.8 / 38.5
	4.64	4.18	1,920	1,920	
	5.24	4.70	2,226	2,226	7.7 m / 6.65 m Boom [SAE] 33.9 / 37.7 [ISO] 36.5 / 40.5
S Class	5.58	5.06	2,350	2,350	
	3.75	3.41	1,620	N/A	7.7 m / 6.65 m Boom [SAE] 31.8 / 35.3 [ISO] 34.8 / 38.6
	4.05	3.67	1,720	N/A	
	4.64	4.18	1,920	N/A	
	5.24	4.70	2,226	N/A	7.7 m / 6.65 m Boom [SAE] 33.9 / 37.6 [ISO] 36.5 / 40.5
X Class	5.58	5.06	2,350	N/A	
	3.75	3.41	1,620	N/A	7.7 m / 6.65 m Boom [SAE] 31.8 / 35.3 [ISO] 34.8 / 38.6
	4.05	3.67	1,720	N/A	
	4.64	4.18	1,920	N/A	
	5.24	4.70	2,226	N/A	7.7 m / 6.65 m Boom [SAE] 33.9 / 37.6 [ISO] 36.5 / 40.5

ARM DIGGING FORCES

Arm	Length	Weight	Digging Force (ton)
Standard	3,550 mm	2,655 kg	[SAE] 28.6, [ISO] 29.3
Short	2,900 mm	2,630 kg	[SAE] 32.8, [ISO] 33.6 (7.7m Boom), [SAE] 33.5, [ISO] 34.3 (6.65m Boom)
Short	2,600 mm	2,445 kg	[SAE] 35.6, [ISO] 36.6

SWING MECHANISM

High-torque, axial piston motor with planetary reduction gear bathed in oil. Swing circle is single row, shear type ball bearing with induction-hardened internal gear. Internal gear and pinion gear immersed in lubricant.

Max. Swing speed (Theoretical) - 7.5 rpm

Max. Swing Torque (Theoretical) - 31,600 kgf.m (310 kN.m)

DRIVE

Each track is driven by an independent, high-torque, axial piston motor through planetary reduction gear. Two levers or foot pedal control provide smooth travel or counter-rotation upon demand.

Travel speed (High / low) - 4.8 / 2.9 km/h

Maximum traction force - 70.7 / 43.0 ton

Gradeability - 70%

REFILL CAPACITIES

Fuel tank - 880 l

Cooling system - 70.6 l

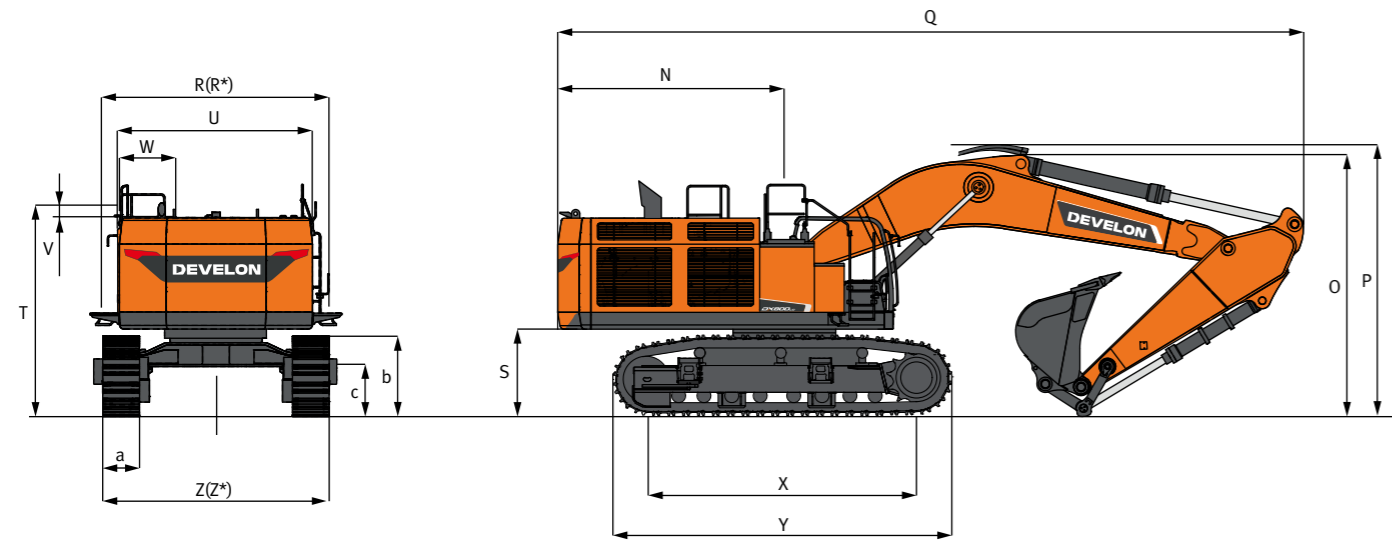
Engine oil - 60 l

Swing device - 2 x 8 l

Final device - 2 x 20 l

Hydraulic tank - 435 l

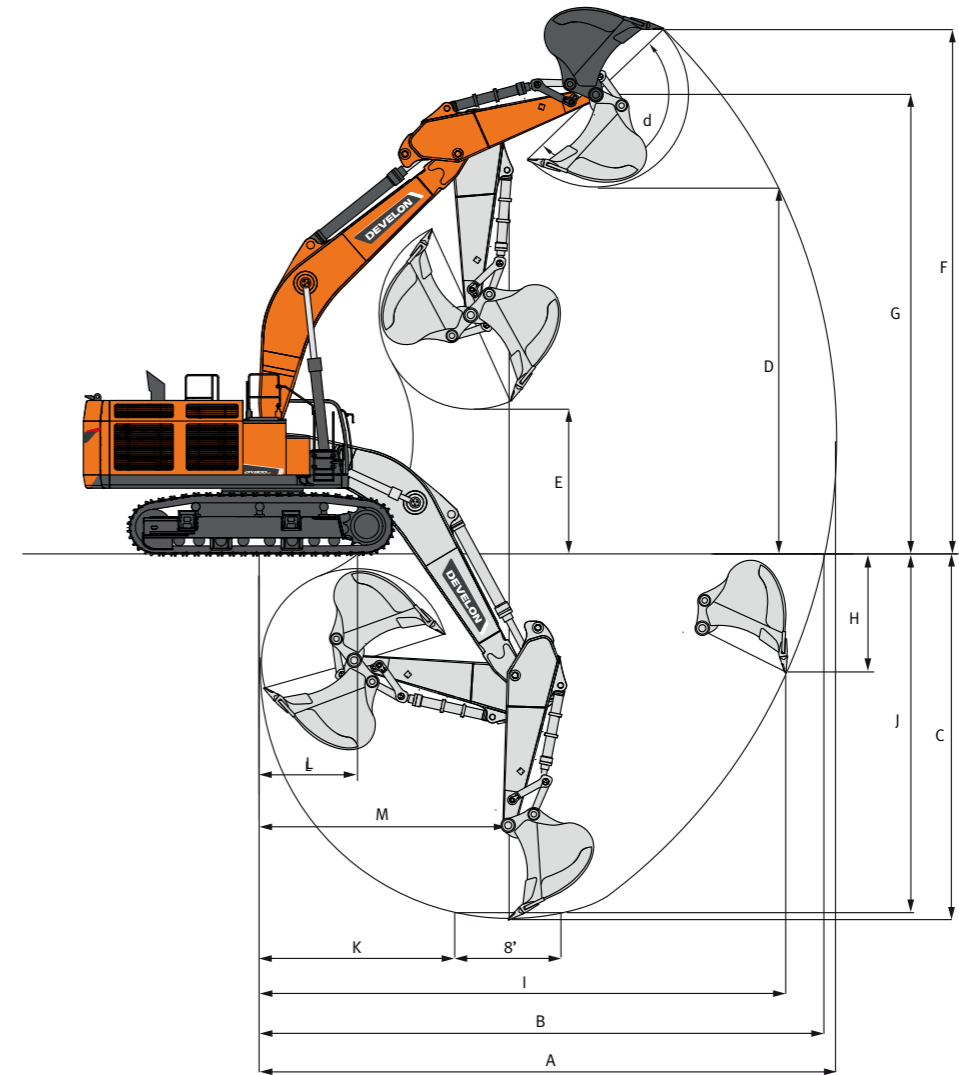
DIMENSIONS



Boom Type	(mm)		7,700		6,650	
Arm Type	(mm)		3,550	2,900	2,900	2,600
Bucket Type (SAE)	(m ³)		3.42	4.05	4.43	4.43
Tail Swing Radius	(mm)	N	4,010	←	←	←
Shipping Height (Boom)	(mm)	O	4,615	4,420	4,905	4,760
Shipping Height (Hose)	(mm)	P	4,865	4,690	5,125	4,990
Shipping Length	(mm)	Q	13,165	13,370	12,320	12,370
Shipping Width (Std.)	(mm)	R	3,560	←	←	←
Shipping Width (Narrow)	(mm)	R*	-	-	-	-
C/Weight Clearance	(mm)	S	1,540	←	←	←
Height Over Cab.	(mm)	T	3,530	←	←	←
House Width	(mm)	U	3,410	←	←	←
Cab. Height Above House	(mm)	V	25	←	←	←
Cab. Width	(mm)	W	1,010	←	←	←
Tumbler Distance	(mm)	X	4,730	←	←	←
Track Length	(mm)	Y	5,960	←	←	←
Undercarriage Width (Std.)	(mm)	Z	3,400 / 4,000*	←	←	←
Undercarriage Width (Narrow)	(mm)	Z*	-	-	-	-
Shoe Width	(mm)	a	650	←	←	←
Track Height**	(mm)	b	1,315	←	←	←
Car Body Clearance	(mm)	c	850	←	←	←

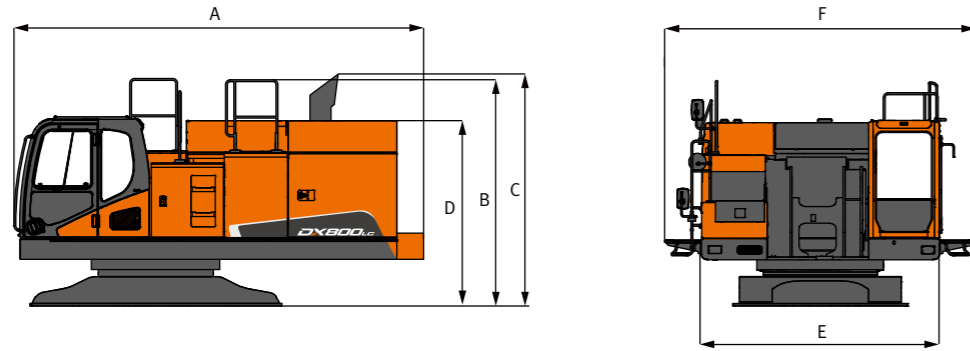
[NOTE] *: Retracted / Extended
 **: Without shoe grouser

WORKING RANGES



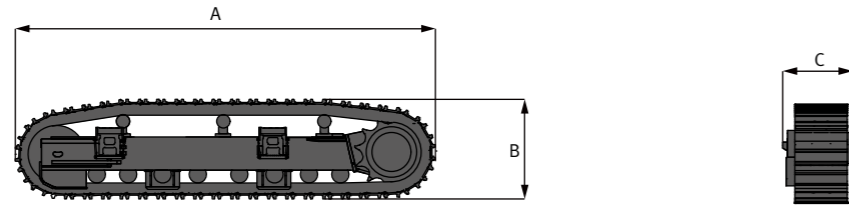
Boom Type	(mm)		7,700				6,650						
Arm Type	(mm)		3,550		2,900		2,900		2,600				
Bucket Type (SAE)	(m ³)		3.42	3.67	4.05	4.43	4.64	5.24	5.58	4.43	4.64	5.24	5.58
Max. Digging Reach	(mm)	A	13,195	12,670	11,520	11,530	11,260	11,275					
Max. Digging Reach (ground)	(mm)	B	12,925	12,390	11,210	11,225	10,945	10,960					
Max. Digging Depth	(mm)	C	8,345	7,725	7,005	7,050	6,710	6,750					
Max. Loading Height	(mm)	D	8,405	8,245	7,115	7,075	7,040	6,995					
Min. Loading Height	(mm)	E	3,325	3,975	3,175	3,130	3,470	3,430					
Max. Digging Height	(mm)	F	12,120	11,910	10,625	10,465	10,570	10,410					
Max. Bucket Pin Height	(mm)	G	10,525	10,390	9,260	9,260	9,180	9,180					
Max. Vertical Wall Depth	(mm)	H	4,705	2,455	1,520	-145	1,420	-220					
Max. Radius Vertical	(mm)	I	10,935	11,590	10,735	11,255	10,495	11,010					
Max. Depth 8' line	(mm)	J	8,205	7,565	6,845	6,900	6,535	6,585					
Min. Radius 8' line	(mm)	K	4,490	4,495	3,720	3,720	3,720	3,720					
Min. Digging Reach	(mm)	L	2,285	2,990	1,920	1,840	2,120	2,045					
Min. Swing Radius	(mm)	M	5,730	5,775	5,240	5,240	5,200	5,200					
Bucket Angle	(deg)	d	178	178	178	161	177	160					

TRANSPORTATION



UPPER STRUCTURE

Length	(mm)	A	5,802
Height (Top of Guardrail)	(mm)	B	3,217
Height (Top of Muffler)	(mm)	C	3,270
Height (Top of Cab)	(mm)	D	2,703
Width (Without Walkways)	(mm)	E	3,410
Width (With Walkways)	(mm)	F	4,450
Weight	(kg)		25,650



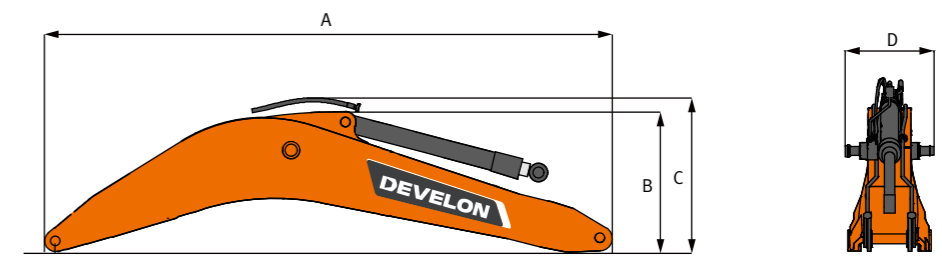
UNDERCARRIAGE

Length	(mm)	A	5,960
Height	(mm)	B	1,413
Width (With Steps)	(mm)	C	1,007
Weight	(kg)		11,780



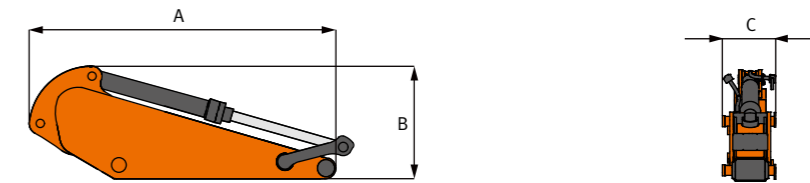
COUNTERWEIGHT

Width	(mm)	A	3,410
Length	(mm)	B	615
Height	(mm)	C	2,114
Weight	(kg)		10,720



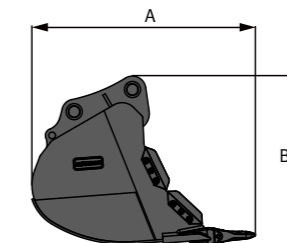
BOOM

Boom			7.7 m	6.65 m
Length	(mm)	A	8,024	6,976
Height (Top of Boom)	(mm)	B	1,979	2,323
Height (Top of Hoses)	(mm)	C	2,243	2,544
Width	(mm)	D	1,270	1,270
Weight	(kg)		7,280	6,975



ARM

Arm			3.55 m	2.9 m	2.6 m
Length	(mm)	A	4,991	4,324	4,017
Height	(mm)	B	1,439	1,621	1,630
Width	(mm)	C	763	763	763
Weight	(kg)		4,130	3,975	3,840



BUCKET

Bucket			3.24 m ³	3.68 m ³	3.75 m ³	4.05 m ³	4.43 m ³	4.64 m ³	5.24 m ³	5.58 m ³
Length	(mm)	A	2,550			2,690			2,780	
Height	(mm)	B	2,010			2,150			2,260	

STANDARD & OPTION

STANDARD EQUIPMENT

Hydraulic system

- Boom and arm flow regeneration
- Boom and arm holding valves
- Swing anti-rebound valves
- Spare ports (Control valve)

Cabin & Interior

- Viscous cab mounts
- All weather sound suppressed type cab
- Air conditioner & Heater
- Adjustable suspension seat with head rest and adjustable arm rest
- Pull-up type front window and removable lower front window
- Room light
- Intermittent windshield wiper
- Cigarette lighter and ashtray
- Cup holder
- Hot & Cool box
- LCD color monitor panel
- E/G RPM control dial
- AM/FM radio + MP3 (USB)
- Remote radio ON/OFF switch
- 12V spare powers socket
- Serial communication port for laptop PC interface
- Joystick lever with 3 switches
- Sun visor
- Sun roof

Safety

- Large handrails and step
- Convex metal anti-slip plates
- Seat belt
- Hydraulic safety lock lever
- Safety glass
- Hammer for emergency escape
- Right and left rearview mirrors
- Battery protector cover

Others

- Double element air cleaner with two stage filtration
- Water separator
- Fuel filter
- Dust screen for radiator/oil cooler
- Engine overheat prevention system
- Engine restart prevention system
- Self-diagnostic system
- Alternator (24 V, 115 A)
- Electric horn
- LED working lights (boom mounted 2, frame mounted 2, storage box mounted 1)
- Hydraulic track adjuster
- Track guards
- Greased and sealed track link
- Hydraulic oil tank air breather filter

OPTIONAL EQUIPMENT

Some of optional equipments may be standard in some markets. Some of this optional equipment is not available in some markets. You must check with the local DEVELON dealer to know about the availability or to release the adaptation following the needs of the applications

Arm

- 2.6 m Arm
- 2.9 m Arm
- 3.55 m Arm

Boom

- 6.65 m Boom
- 7.7 m Boom

Bucket (SAE/PSCA)

- 3.42 m³ H Class Bucket
- 3.68 m³ H Class Bucket
- 3.75 m³ S Class Bucket
- 3.75 m³ X Class Bucket
- 4.05 m³ H Class Bucket
- 4.05 m³ S Class Bucket
- 4.05 m³ X Class Bucket
- 4.43 m³ H Class Bucket
- 4.64 m³ H Class Bucket
- 4.64 m³ S Class Bucket
- 4.64 m³ X Class Bucket
- 5.24 m³ H Class Bucket
- 5.24 m³ S Class Bucket
- 5.24 m³ X Class Bucket
- 5.58 m³ H Class Bucket
- 5.58 m³ S Class Bucket
- Only Dummy Link No Bucket

Boom Cylinder Guard

- Boom Cylinder Guard

Bucket Cylinder Guard

- Bucket Cylinder Guard

Track Guard

- 650 mm Double Grouser Shoe
- 750 mm Double Grouser Shoe
- 900 mm Double for Grouser Shoe

Breaker Filter

- Breaker Filter

Hydraulic Oil

- Cold Weather (VG32)
- Normal Weather (VG46)
- Tropical Weather (VG68)

Lever Pattern Change

- Lever Pattern Change

One & Two Way Front Piping

- One & Two Way Front Piping

Rotating Piping(PERO) Boom

- Rotating Piping(PERO)

One & Two Way Piping

- Mono Two Way with Pedal
- Mono Two Way without Pedal
- Mono One Way with Electric Ped
- Mono One Way

Quick Coupler Piping

- Quick Coupler Piping

Straight Travel

- Straight Travel

Two Pumps & Piping

- Two Pumps

Audio Equipment

- Radio+MP3(Stereo)

Rain Shield

- Rain Shield

Alarm

- Alarm for Travel and Swing

Camera

- Around View Camera
- Rear View Camera

Cabin Front Guard

- Upper and Lower Guard
- Lower Guard Only

Under Cover

- Heavy Duty Under Cover
- Standard Under Cover

FOGS Guard

- FOGS
- Top Guard

Additional Work Lamp

- 2 Additional Working Lamp(LED)
- 6 Additional Working Lamp(LED)

Lower Wiper

- Lower Wiper

Overload Warning Device

- Overload Warning Device

Rotating Beacon

- Rotating Beacon

Cabin Roof Cover

- Plastic Roof Cover
- Steel Roof Cover

Water Separator With Heater

- Water Separator with Heater
- Water Separator without Heater

Engine Coolant Heater

- Engine Coolant Heater with Additional Fuel Tank

Telematics

- 3.0 Global (Cell only)
- 3.0 Global Dual (SAT +Cell)

Air Compressor

- Air Compressor

Auto Greasing Unit

- Auto Greasing Unit

Additional Mirror

- Additional Mirror

Fuel Filler Pump

- Fuel Filler Pump

Lamp For Cabin Guard

- Guard Lamp

Mirror

- Side Mirror

Powered by **Innovation**

