

# Recycling Industry MATERIAL HANDLER

- DX 190W MH
- DX 210W MH
- DX 180 MH
- DX 225 MH
- DX 300 MH
- DX 360 MH
- DX 450 MH
- DX 530 MH
- DX 800 MH
- DX 1000 MH



## CUSTOMIZED FEATURES

Material Handler is commonly designed for handling metal scrap, industrial waste and garbage in recycling yards or landfill sites. Sometime it also used in loading and unloading materials alongside barges.

### SPECIALIZED CABIN / GUARD / FRONT OPTION

#### Cabin riser system

Provides a stable position to offer wide viewing range.



#### Elevating cabin system

Provides excellent visibility and high flexibility.



#### Falling Operator Guard System (FOGS)

Operator protective guard (OPG) on the cabin to protect operator from falling objective from the top.

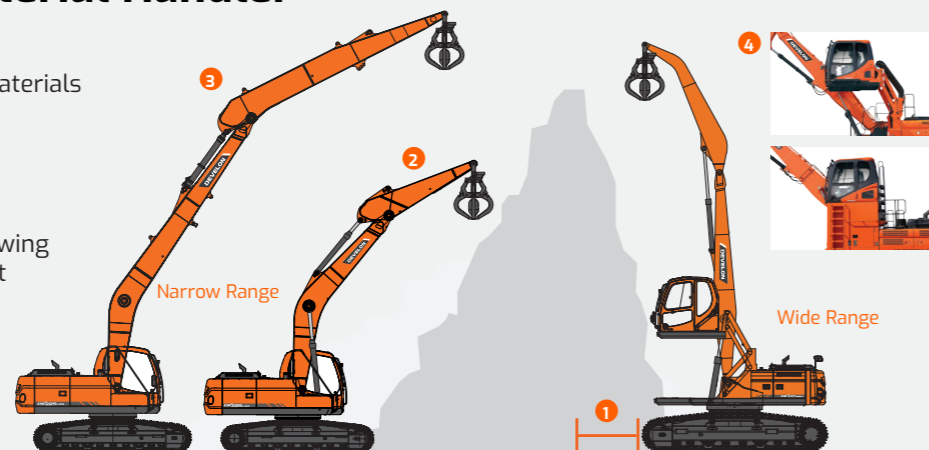


#### Lowering cab in emergency

When problem occurred during tilting position, it help the cab to change back into original position.

## Benefit of Using Material Handler

- 1 Shorter Horizontal distance from materials
- 2 More height from ground level
- 3 More Handling capacity than SLR (Super Long Reach Front)
- 4 Wider Operator's viewing angle allowing delicate maneuvering of attachment



Standard or super long reach excavator

Material handler

#### Straight Linkage Arm Front

Arm for material handler optimized for linkage type attachments.



#### Gooseneck Arm Front

Arm for material handler optimized for pendulum type attachments.



# ATTACHMENTS

## VARIOUS SELECTABLE ATTACHMENT



### Orange Grapple

is commonly designed for handling scrap iron in wrecking yards or recycling plants and waste in landfill sites. Sometime it also used in building sites for transferring stones.



### Clamshell Bucket

is commonly used in dredging, excavation or material handling however, each application has its unique characteristics and has to be designed optimally for maximum efficiency.



### Log Grapple

is specially designed for sorting, loading, unloading and laying timber, log and wood with Develon Log loader in forestry.

Attachment		Orange Grapple						Clamshell Bucket								
Model		OG18	OG22	OG30	OG34	OG42	OG50	CB14	CB18	CB22	CB25	CB30	CB34	CB42	CB50	CB80
Operating Weight	kg	1,100	1,300	1,700	2,000	2,080	2,500	900	1,200	1,440	1,560	1,920	2,040	2,220	2,280	2,410
Jaw/Bucket Opened Length	mm	1,650	1,840	1,980	2,100	2,100	2,200	1,868	1,868	2,080	2,080	2,135	2,135	2,385	2,385	2,500
Jaw/Bucket Closed Length	mm	1,800	2,090	2,200	2,300	2,350	2,460	1,455	1,455	1,725	1,725	1,985	1,985	2,385	2,385	2,400
Jaw Bucket Width	mm	-	-	-	-	-	-	600	1,100	900	1,100	1,300	1,400	1,100	1,200	1,500
Capacit	m <sup>3</sup>	0.40	0.50	0.60	0.72	0.80	0.97	0.40	0.70	0.80	1.00	1.40	1.50	1.60	1.70	2.00

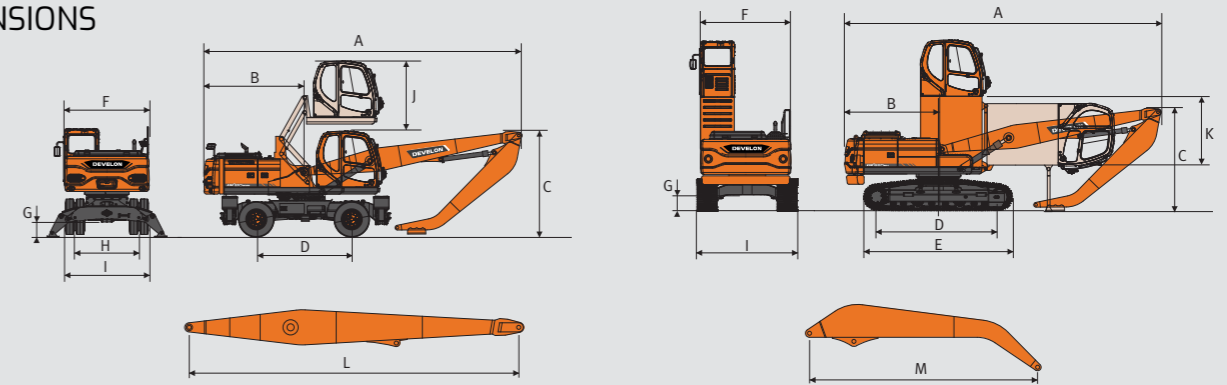
Applicable Carrier	DX190W MH	DX210W MH	DX180 MH	DX225 MH	DX300 MH	DX360 MH	DX450 MH	DX530 MH	DX800 MH	DX1000 MH
		Blue	Blue	Blue	Blue	Blue	Blue	Blue	Blue	Blue

\* Attachment Recommendation Indicator

- Blue range : Attachment in this range could be used for material density about 1,800kg/m<sup>3</sup>
- Transition range : Attachment in this range could be used for material density about 1,500kg/m<sup>3</sup>
- Red range : Attachment in this range should be used for material density about 1,200kg/m<sup>3</sup>

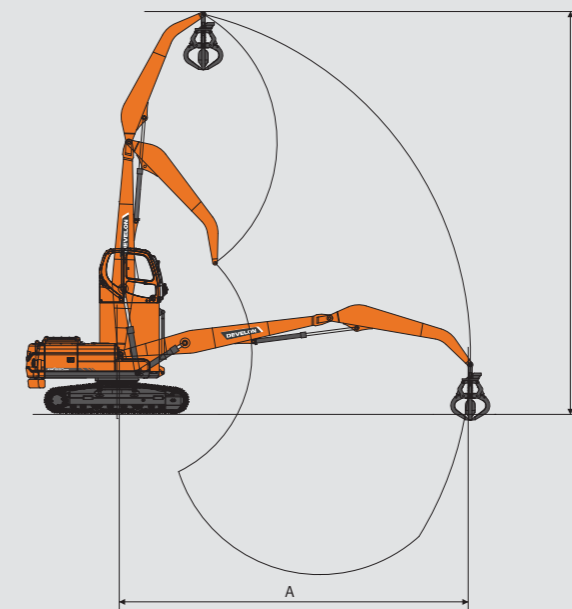
# TECHNICAL SPECIFICATION

## DIMENSIONS



	Unit	DX190W MH	DX210W MH	DX180 MH	DX225 MH	DX300 MH	DX360 MH	DX450 MH	DX530 MH	DX800 MH	DX1000 MH
- Engine Rated Power	kW	123	121	88	125	151	238	257	257	354	470
- Engine Max. Torque	N.m	686	706	451	686	902	1,400	1,550	1,550	2,177	2,769
A Swing Length	mm	9,476	9,626	9,500	9,809	11,210	12,130	13,370	13,700	14,810	22,820
B Tail Swing Radius	mm	2,450	2,850	2,450	2,750	3,230	3,530	3,760	3,800	4,010	4,565
C Sipping Height	mm	3,450	3,550	3,400	3,500	4,450	5,600	6,050	6,350	7,710	4,840
D Tumbler Distance (Wheel base)	mm	2,700	2,850	3,180	3,650	4,040	4,040	4,250	4,470	4,730	5,100
E Track Length	mm	-	-	3,968	4,445	4,950	4,960	5,200	5,480	5,960	6,341
F House Width	mm	2,494	2,530	2,540	2,710	3,072	3,103	3,103	3,352	3,410	3,410
G Ground Clearance	mm	350	350	455	451	470	475	585	725	850	860
H Tread Width	mm	1,944	1,914	-	-	-	-	-	-	-	-
I Shipping Width	mm	2,494	2,500	2,800	2,990	3,200	3,280	3,350	3,580	3,560	3,440
J Elevating Stroke	mm	2,000/2,500	2,000/2,500	-	-	-	-	-	-	-	-
K Riser Height	mm	-	-	1,200 1,500 1,800	1,200 1,500 1,800	1,200 1,500 1,800	1,200 1,500 1,800	1,200 1,500 1,800	1,200 1,500 1,800	1,200 1,500 1,800	1,200 1,500 1,800
L Boom Length	mm	6,100	6,500	6,100	6,500	7,800	8,600	9,600	10,000	11,000	10,900
M Arm Length	mm	4,200	4,500	4,200	4,500	5,400	6,050	6,600	7,100	7,500	8,000

## WORKING RANGE



	Unit	DX190W MH	DX210W MH	DX180 MH	DX225 MH	DX300 MH	DX360 MH	DX450 MH	DX530 MH	DX800 MH	DX1000 MH
A Max Pin Reach	mm	10,210	10,895	10,000	10,835	12,960	14,385	15,845	16,720	18,240	18,230
B Max Pin Height	mm	11,500	12,140	11,000	12,125	14,130	15,665	16,880	18,135	19,850	19,680